

MAS A/NAPPE/N2/MATT BLACK

## Nappe Wall Light

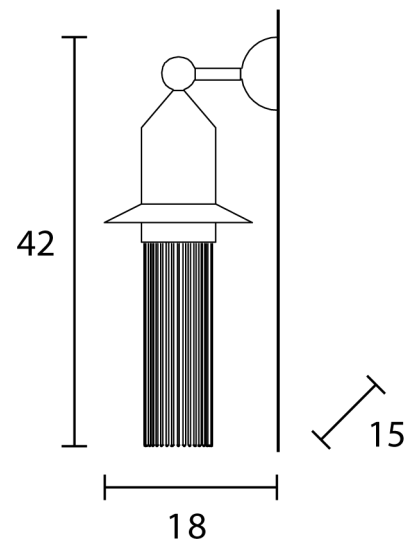
by Marco Zito

Made in Italy, the Nappe wall light collection is inspired by the 'nappine' (tassels) typically used to close curtains and decorate Venetian salons. Each Nappe is comprised of a painted metal frame with metal or Pyrex rods and Pyrex diffusors with an inbuilt LED source. Available in several shapes and finish options.



<b>Designer</b>	Marco Zito
<b>Supplier</b>	Masiero
<b>Country</b>	Italy
<b>SKU</b>	MAS A/NAPPE/N2/MATT BLACK
<b>Version</b>	N2
<b>Finish</b>	Matt Black

Product Dimensions



<b>Weight</b>	2.5kg
<b>Colour Temp</b>	3000K
<b>Dimming</b>	Non-dimmable

<b>Materials</b>	Metal, Pyrex
<b>Output</b>	688lm

<b>Source</b>	5.4W LED
<b>CRI</b>	>90