

MAS A/NAPPE/N4/MIXED WARM

Nappe Wall Light

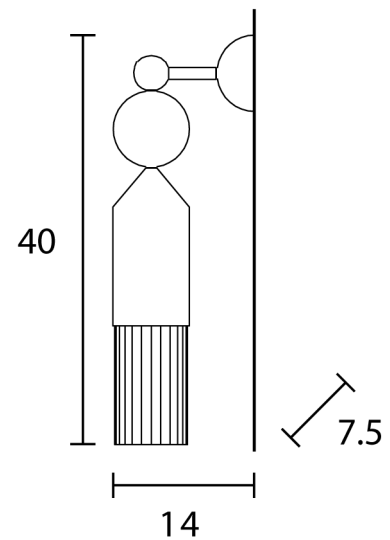
by Marco Zito

Made in Italy, the Nappe wall light collection is inspired by the 'nappine' (tassels) typically used to close curtains and decorate Venetian salons. Each Nappe is comprised of a painted metal frame with metal or Pyrex rods and Pyrex diffusers with an inbuilt LED source. Available in several shapes and finish options.



Designer	Marco Zito
Supplier	Masiero
Country	Italy
SKU	MAS A/NAPPE/N4/MIXED WARM
Version	N4
Finish	Mixed Warm

Product Dimensions



Weight	2.5kg
Colour Temp	3000K
Dimming	Non-dimmable

Materials	Metal, Pyrex
Output	688lm

Source	5.4W LED
CRI	>90