

MAS A/EVA/A2/SILVER LEAF

Eva Double Wall Light

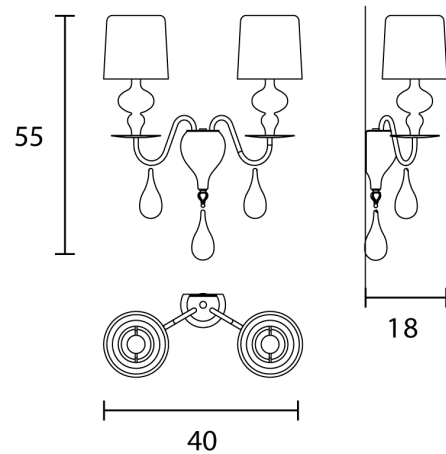
by Masiero Lab

The Eva collection magnificently embodies a modern interpretation of classic chandeliers. Like a blossoming flower, Eva enchants with fluid sinuosity and conveys a sense of calm. The double wall lamp features a resin and polyurethane frame with aluminium shades, accentuating its modern aesthetic. Available in a variety of finish options.



| | |
|-----------------|--------------------------|
| Designer | Masiero Lab |
| Supplier | Masiero |
| Country | Italy |
| SKU | MAS A/EVA/A2/SILVER LEAF |
| Finish | Silver Leaf |

Product Dimensions



| | |
|----------------|--------------------|
| Weight | 3.5kg |
| Dimming | Dependant on globe |

| | |
|------------------|---|
| Materials | Resin and polyurethane frame with aluminium shade |
|------------------|---|

| | |
|---------------|-----------------|
| Source | 2 x E14 10W Max |
|---------------|-----------------|