

MAS S/VEGAS/OV160/CHAMPAGNE LEAF/TRANS

Vegas Oval Chandelier

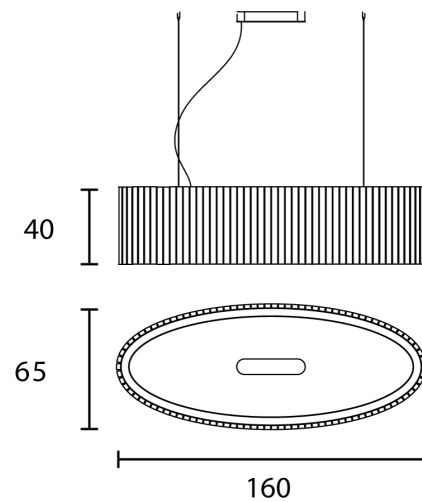
by Marc Sadler

Vegas is loosely inspired by the architecture of Las Vegas, the city that never sleeps. The Vegas oval chandelier expertly incorporates geometric forms, high-quality materials and cutting-edge manufacturing techniques to create a piece that reinterprets classic Art Deco style in a contemporary key. Hand-made glass pendants with rock-like details make up the diffuser, while a champagne-leaf metal frame provides an elegant base housing an in-built LED source. Perfect for feature lighting applications, Vegas is available in a variety of sizes. Designed by Marc Sadler and made in Italy.



Designer	Marc Sadler
Supplier	Masiero
Country	Italy
SKU	MAS S/VEGAS/OV160/CHAMPAGNE LEAF/TRANS
Size	160

Product Dimensions



Weight	82kg
Colour Temp	3000K
Dimming	0-10V

Materials	Metal frame, hand made rock-style glass strip diffusers
Output	15372lm
Notes	150cm cable drop

Source	119W LED
CRI	>95