

MAS S/VEGAS/OV85/CHAMPAGNE LEAF/TRANS

## Vegas Oval Chandelier

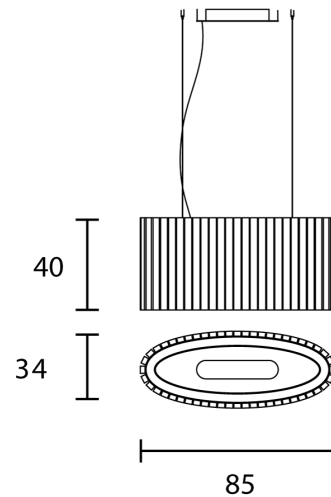
by Marc Sadler

Vegas is loosely inspired by the architecture of Las Vegas, the city that never sleeps. The Vegas oval chandelier expertly incorporates geometric forms, high-quality materials and cutting-edge manufacturing techniques to create a piece that reinterprets classic Art Deco style in a contemporary key. Hand-made glass pendants with rock-like details make up the diffuser, while a champagne-leaf metal frame provides an elegant base housing an in-built LED source. Perfect for feature lighting applications, Vegas is available in a variety of sizes. Designed by Marc Sadler and made in Italy.



<b>Designer</b>	Marc Sadler
<b>Supplier</b>	Masiero
<b>Country</b>	Italy
<b>SKU</b>	MAS S/VEGAS/OV85/CHAMPAGNE LEAF/TRANS
<b>Size</b>	85

### Product Dimensions



<b>Weight</b>	40kg	<b>Materials</b>	Metal frame, hand made rock-style glass strip diffusers	<b>Source</b>	58.8W LED
<b>Colour Temp</b>	3000K	<b>Output</b>	7570lm	<b>CRI</b>	>95
<b>Dimming</b>	0-10V	<b>Notes</b>	150cm cable drop		