

MAS S/POSY/S1/16/BRASS/WHITE

## Posy Pendant

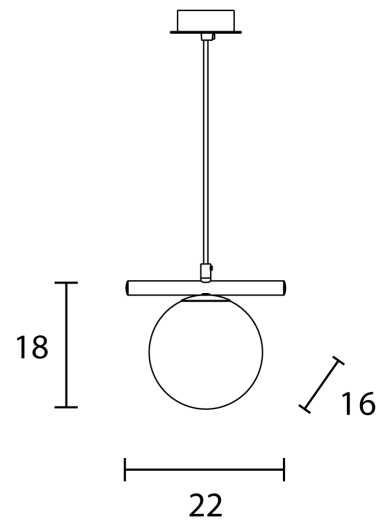
by Sara Moroni

Balance and simplicity were the guiding principals of the Posy collection. Composed of a galvanised metal structure with a triplex opal white Murano glass diffuser. The sphere and stem interact with each other to achieve a natural balance, making Posy pendant light ideal for contemporary installations. Available in brushed brass structure with opal white glass finish. Made in Italy by Masiero.



<b>Designer</b>	Sara Moroni
<b>Supplier</b>	Masiero
<b>Country</b>	Italy
<b>SKU</b>	MAS S/POSY/S1/16/BRASS/WHITE
<b>Size</b>	16cm

### Product Dimensions



<b>Weight</b>	1kg
<b>Dimming</b>	Dependent on globe

<b>Materials</b>	Galvanised metal structure, triplex Murano glass diffuser
<b>Notes</b>	Max bulb size: 37mm (dia) x 110mm (L), Max cable drop: 150cm

<b>Source</b>	1 x E14 10W (Max)
---------------	-------------------