

MAS LT/EVA/TL3+1/G/GOLD LEAF

## Eva Table Lamp

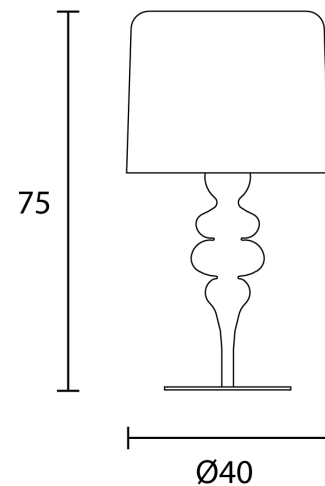
by Masiero Lab

The Eva collection magnificently embodies a modern interpretation of classic chandeliers. Like a blossoming flower, Eva enchants with fluid sinuosity and conveys a sense of calm. The table lamp features a resin and polyurethane frame with an aluminium lampshade, accentuating its modern aesthetic. Available in three sizes and a variety of finish options.



|                 |                              |
|-----------------|------------------------------|
| <b>Designer</b> | Masiero Lab                  |
| <b>Supplier</b> | Masiero                      |
| <b>Country</b>  | Italy                        |
| <b>SKU</b>      | MAS LT/EVA/TL3+1/G/GOLD LEAF |
| <b>Finish</b>   | Gold Leaf                    |
| <b>Size</b>     | Large                        |

### Product Dimensions



|               |      |
|---------------|------|
| <b>Weight</b> | 15kg |
|---------------|------|

|                  |   |
|------------------|---|
| <b>Materials</b> | Resin and polyurethane frame with aluminium shade |
|------------------|---|

|               |                               |
|---------------|-------------------------------|
| <b>Source</b> | 3 x E27 20W + 1 x E14 10W MAX |
|---------------|-------------------------------|