

MAS S/HORO/S1/BRASS/AMBER

# Horo Pendant

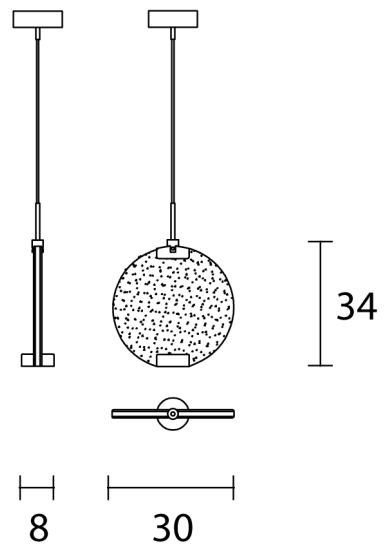
by Pierre Gonalons

Horo is inspired by ancient depictions of the sun, including the sun god Ra, which gives the collection an enduring and ethereal quality. Available with clear or coloured prismatic glass and featuring brushed brass metal details. Designed by Pierre Gonalons and made in Italy.



<b>Designer</b>	Pierre Gonalons
<b>Supplier</b>	Masiero
<b>Country</b>	Italy
<b>SKU</b>	MAS S/HORO/S1/BRASS/AMBER
<b>Glass Finish</b>	Amber Spectrum

Product Dimensions



<b>Weight</b>	3.5kg
<b>Colour Temp</b>	3000K
<b>Dimming</b>	Non-dimmable

<b>Materials</b>	Metal frame with glass spectrum diffuser
<b>Output</b>	1854lm
<b>Notes</b>	120cm cable drop

<b>Source</b>	14.4W LED
<b>CRI</b>	>95