

MAS A/IGLU/A1/BRONZE/GOLD MESH

## Iglu Wall Light

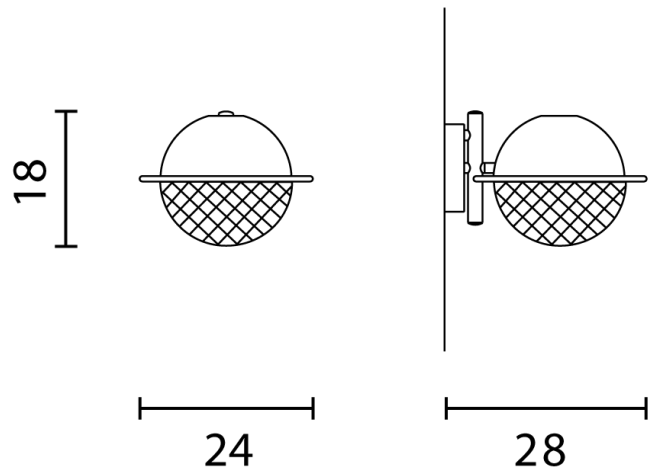
by Oriano Favaretto

Iglu is an intuition born from observing the perfection of the sphere. A mesh grate seamlessly completes the metal sphere and shields the light source, creating a pattern of light and shadow. Metal structure painted with brushed patina. Designed by Oriano Favaretto and made in Italy.



<b>Designer</b>	Oriano Favaretto
<b>Supplier</b>	Masiero
<b>Country</b>	Italy
<b>SKU</b>	MAS A/IGLU/A1/BRONZE/GOLD MESH
<b>Size</b>	A1

Product Dimensions



<b>Weight</b>	2kg
<b>Colour Temp</b>	3000K
<b>Dimming</b>	TRIAC

<b>Materials</b>	Brushed bronze patina with gold metal mesh diffuser
<b>Output</b>	1450lm

<b>Source</b>	3.7W UP + 11.4W DOWN LED
<b>CRI</b>	>90