

NE A/CROWN/BLACK

## Crown Applique

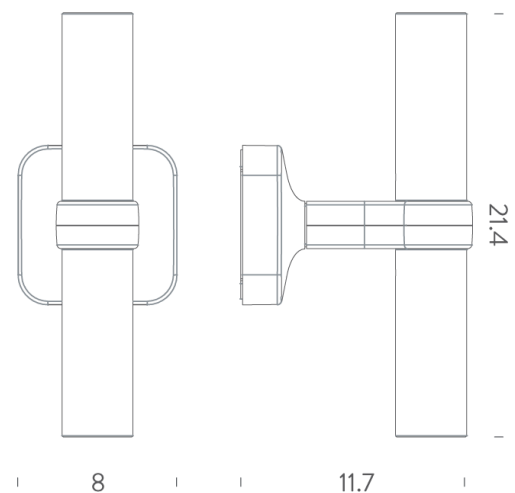
by Jehs + Laub

The Crown collection, an iconic contemporary suspension lamp, born from an intuition by Jehs+Laub and inspired by the silhouette of a snow crystal, is enriched with a new wall-mounted version that increases its efficiency and brightness. Sandblasted highly reflective diffusers. The product is enriched with G-9s in the PLUS version, which are both longer and more efficient, exclusively designed for the Crown wall.



<b>Designer</b>	Jehs + Laub
<b>Supplier</b>	Nemo
<b>Country</b>	Italy
<b>SKU</b>	NE A/CROWN/BLACK
<b>Finish</b>	Black

Product Dimensions



<b>Materials</b>	Aluminium + Glass	<b>Source</b>	2 x G9 4W (Max)	<b>Emission</b>	Indirect
<b>Dimming</b>	Dependent on globe				