

NE LT/PIVOTANTE A POSER/BLUE

Pivotante A Poser

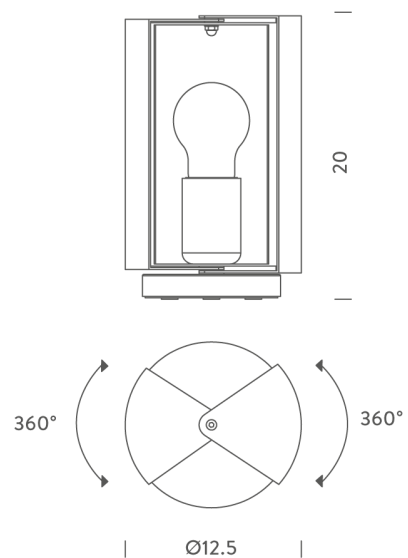
by Charlotte Perriand

Innovative design for the 50s but still a contemporary table lamp. The lighting output is adjusted by the opening or closure of the volets. Its cylindrical body opens on two sides on which two diffusers rotate allowing the opening and closing of the light beam to adjust the light in a direct or indirect way. Steel base painted in matt grey, body in rolled metal sheet painted in a variety of finish options. Switch on cable.



Designer	Charlotte Perriand
Supplier	Nemo
Country	Italy
SKU	NE LT/PIVOTANTE A POSER/BLUE
Finish	Blue

Product Dimensions



Materials	Steel + Aluminium	Source	1 x E27 60W (Max)	Notes	switch on cable, cable length 2.5m, orientable 360 degrees
------------------	-------------------	---------------	-------------------	--------------	--