

NE S/PROJECTEUR/165/IP44/MOKA

## Projecteur 165 Pendant Outdoor

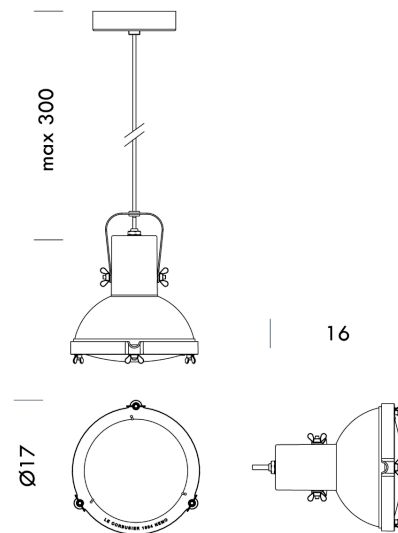
by Le Corbusier

Outdoor 165 adjustable version of the Projecteur 365 featuring an aluminum body coated in moka, night blue or white sand. The curved diffuser glass is sandblasted on the inner side. The clamp and canopies are painted in a matte black finish, accompanied by screws and small black chrome metal components. It offers diffused and adjustable light output and holds an IP44 rating for outdoor use. Classic design by Le Corbusier and made in Italy.



<b>Designer</b>	Le Corbusier
<b>Supplier</b>	Nemo
<b>Country</b>	Italy
<b>SKU</b>	NE S/PROJECTEUR/165/IP44/MOKA
<b>Finish</b>	Moka

### Product Dimensions



<b>Weight</b>	0.8kg
<b>Emission</b>	direct, spot

<b>Materials</b>	Aluminium
<b>IP Rating</b>	IP44

<b>Source</b>	1 x E27 23W
<b>Dimming</b>	Dependent on globe