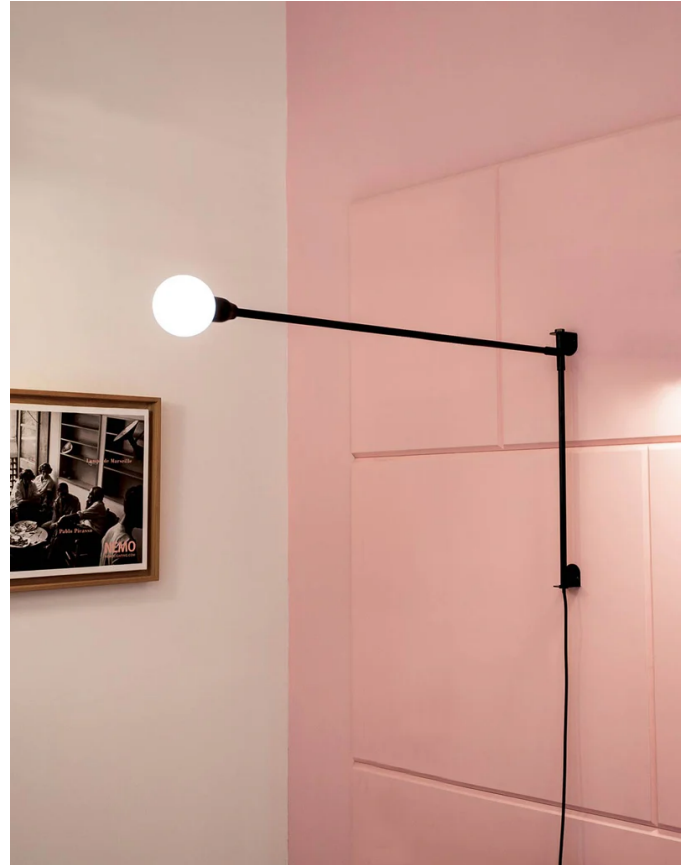


NE A/POTENCE/MINI/BLUE

Mini Potence Pivotante Wall Lamp

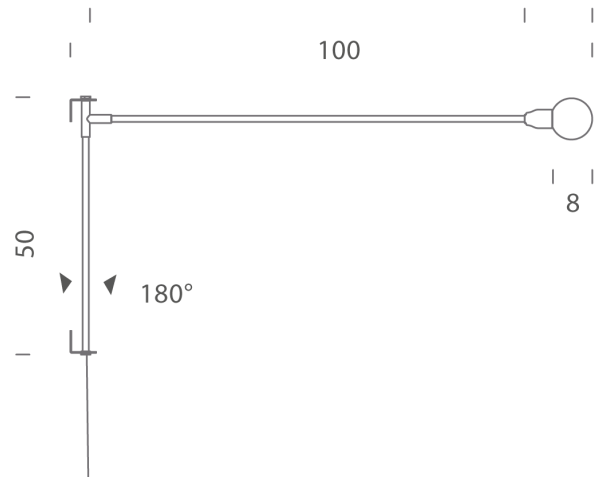
by Charlotte Perriand

Mini Potence Pivotante is an embossed wall lamp designed by Charlotte Perriand in 1938. Body made of aluminium and painted matt black with an opal glass diffuser. The lamp arm fixes to the wall with a rotation of 180 degrees on horizontal axis. Takes 1 x G9 4W Max globes (dimmable LED globe supplied). Available in black, grey, blue or red finish.



Designer	Charlotte Perriand
Supplier	Nemo
Country	Italy
SKU	NE A/POTENCE/MINI/BLUE
Finish	Blue

Product Dimensions



Weight	1kg	Materials	Aluminium	Source	1 x G9 4W LED (Supplied)
Emission	diffused	IP Rating	IP20	Dimming	Dependent on globe - dimmable LED globe supplied
Notes	Rotates 180 degree on horizontal axis				