

NE A/CROWN/BLACK PLATED

Crown Applique

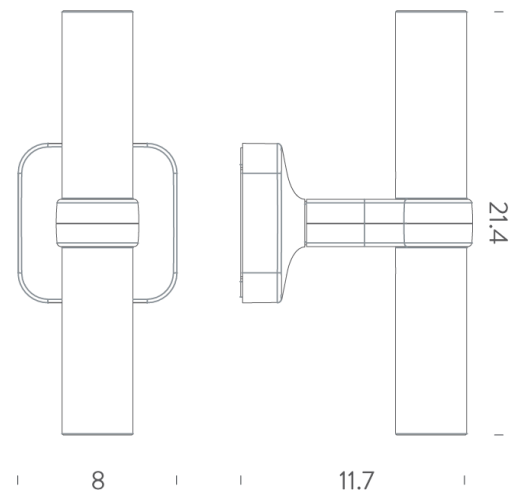
by Jehs + Laub

The Crown collection, an iconic contemporary suspension lamp, born from an intuition by Jehs+Laub and inspired by the silhouette of a snow crystal, is enriched with a new wall-mounted version that increases its efficiency and brightness. Sandblasted highly reflective diffusers. The product is enriched with G-9s in the PLUS version, which are both longer and more efficient, exclusively designed for the Crown wall.



Designer	Jehs + Laub
Supplier	Nemo
Country	Italy
SKU	NE A/CROWN/BLACK PLATED
Finish	Black Plated

Product Dimensions



Materials	Aluminium + Glass	Source	2 x G9 4W (Max)	Emission	Indirect
Dimming	Dependent on globe				