

NE A/CROWN/BLACK

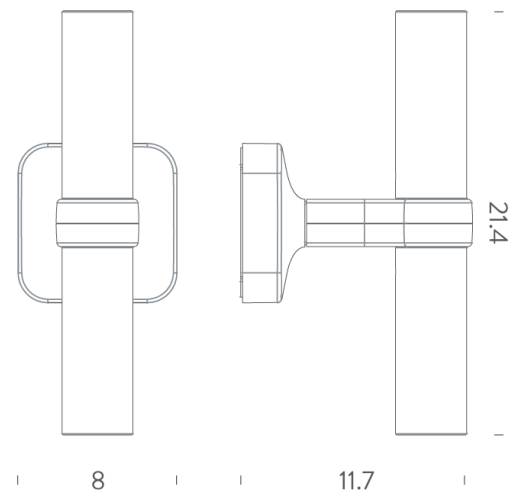
## Crown Applique

by Jehs + Laub

The Crown collection, an iconic contemporary suspension lamp, born from an intuition by Jehs+Laub and inspired by the silhouette of a snow crystal, is enriched with a new wall-mounted version that increases its efficiency and brightness. Sandblasted highly reflective diffusers. The product is enriched with G-9s in the PLUS version, which are both longer and more efficient, exclusively designed for the Crown wall.

**Designer** Jehs + Laub**Supplier** Nemo**Country** Italy**SKU** NE A/CROWN/BLACK**Finish** Black

### Product Dimensions

**Materials** Aluminium + Glass**Source** 2 x G9 4W (Max)**Emission** Indirect**Dimming** Dependent on globe