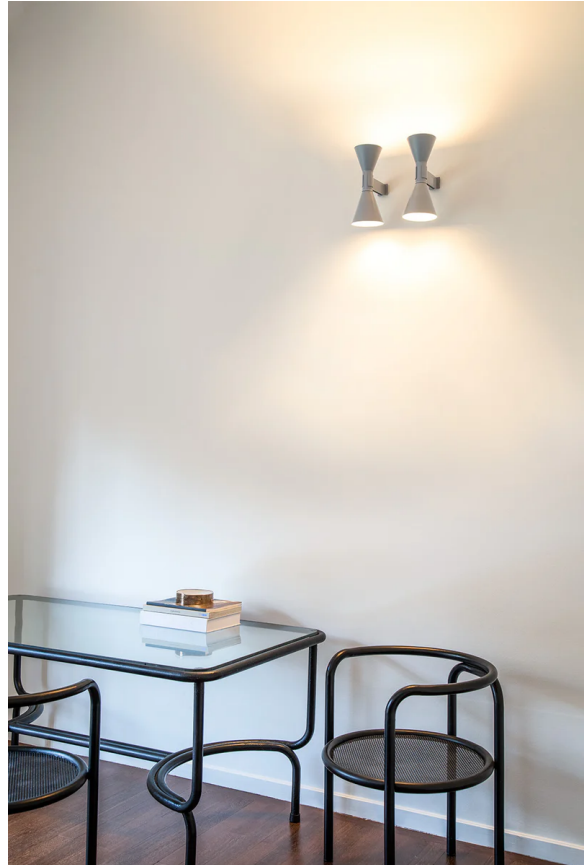


NE A/APPLIQUE/MINI/WHITE

Applique De Marseille Mini

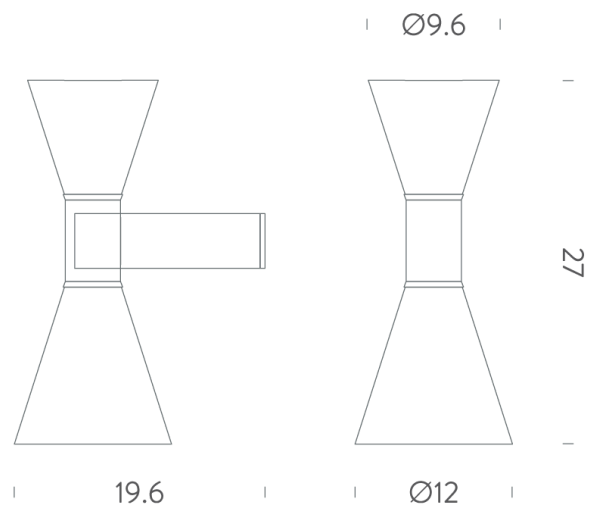
by Le Corbusier

Mini version of the iconic Applique de Marseille, designed by Le Corbusier for his Parisian flat in Rue Nungesser et Coli. A wall lamp for direct and diffused light: two cone-shaped lampshades direct the light up and down, providing homogenous and sharp light beams. Available in matte grey, whitewash or black finish with an internal white diffuser.



Designer	Le Corbusier
Supplier	Nemo
Country	Italy
SKU	NE A/APPLIQUE/MINI/WHITE
Finish	White

Product Dimensions



Materials	Aluminium	Source	2 x E14 40W (Max)	Emission	Indirect
Dimming	Dependent on globe				