

## Macondo Pendant

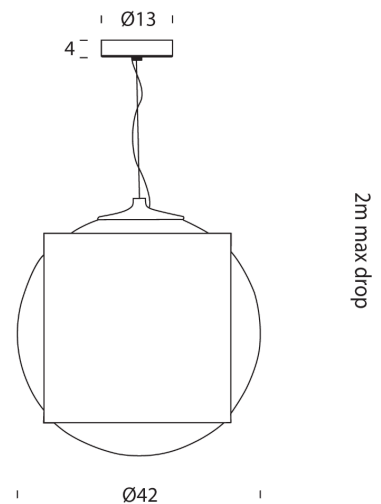
by Gregorio Spini

Macondo Pendant consists of a mouth blown triplex glossy opal glass diffusers. Designed by Gregorio Spini. Made in Italy.



<b>Designer</b>	Gregorio Spini
<b>Supplier</b>	Nemo
<b>Country</b>	Italy
<b>SKU</b>	NE S/MACONDO/LG
<b>Size</b>	Large

### Product Dimensions



<b>Materials</b>	Blown glass	<b>Source</b>	1 x E27 100W (Max)	<b>Dimming</b>	Dependent on globe
<b>Notes</b>	Diffused emission				