

NE PL/NUVOLA/20/LED

Nuvola Wall Ceiling

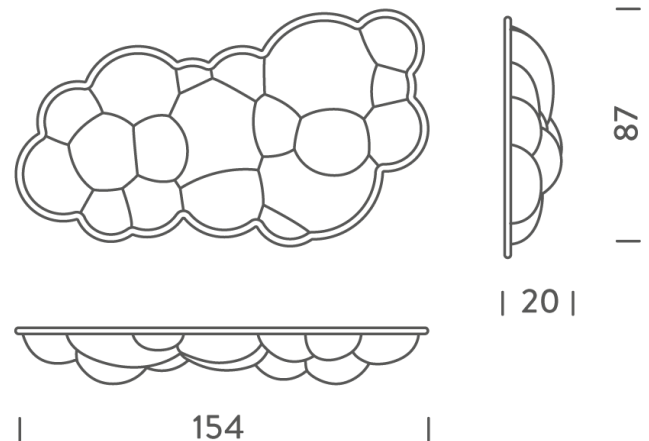
by Mario Bellini

Nuvola by Mario Bellini. Inspired by the shape of a cloud and made of natural opal polyethylene and created via a rotational printing process. Nuvola provides diffused lighting for a widespread and comfortable output. The wall/ceiling version is composed of one of the two blocs (deep or flat). Dimmable.



Designer	Mario Bellini
Supplier	Nemo
Country	Italy
SKU	NE PL/NUVOLA/20/LED
Size	20

Product Dimensions



Weight	11kg	Materials	Polyethylene	Source	66W LED
Colour Temp	2700K	Output	6000lm	CRI	85
Emission	diffused	IP Rating	IP20	Dimming	1-10v