

RO A/TIDE/W0/SIL

Tide Wall Light

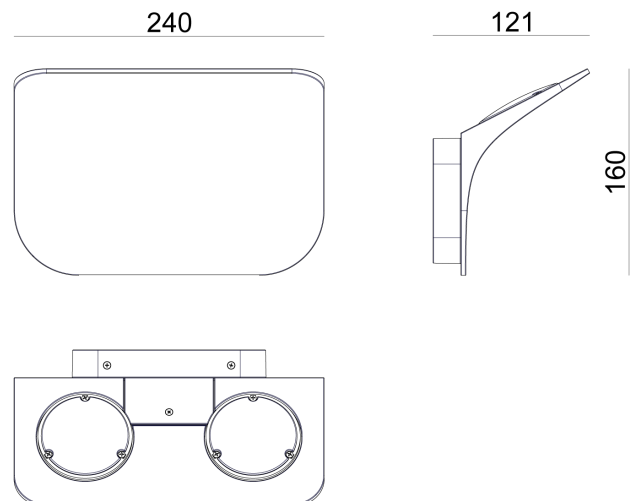
by Paolo Dell'Elce

Tide is an innovative LED wall lamp providing indirect light. The light sources are completely hidden within the sinuous die-cast aluminum body that is perfect for releasing the heat produced. Even though Tide is a small and low-consumption lamp, it is able to light up just as well as traditional halogen lamps.



Designer	Paolo Dell'Elce
Supplier	Rotaliana
Country	Italy
SKU	RO A/TIDE/W0/SIL
Finish	Silver

Product Dimensions



Weight	1.87kg
Colour Temp	2700K
Dimming	No

Materials	Aluminium
Output	3400lm

Source	34W LED
CRI	90