

NE PT/PLINT/3000K/BLACK

Plint Floor Spot

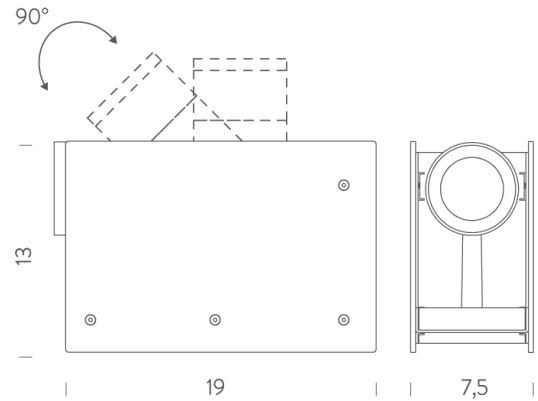
by Massimo Colagrande

The Plint LED floor spot challenges the notions of conventional spotlights with its flexible installation and excellent light quality. The integrated design of the high-performing spot with variable optics (15 to 55 degree beam) in a solid metal structure allow PLINT to be freely positioned for discreet and precise accent lighting. Dimming and a 90 degree orientable head provides a plethora of illumination possibilities, making Plint a versatile and innovative tool for any project. Available in matte black finish.



Designer	Massimo Colagrande
Supplier	Nemo
Country	Italy
SKU	NE PT/PLINT/3000K/BLACK
Version	3000K

Product Dimensions



Weight	1.3kg
Colour Temp	3000K
Emission	Adjustable beam 15-55 degrees, orientable spot 90 drees

Materials	Metal
Output	900lm
IP Rating	IP20

Source	13W LED
CRI	90
Dimming	Dimmer on cable