

VI PL/LIO/30

## Lio Ceiling Light

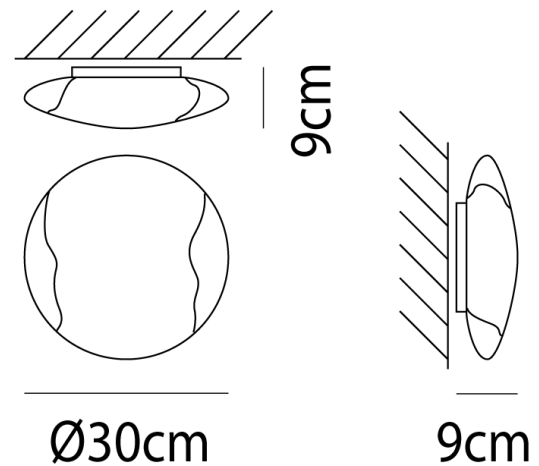
by Vistosi

A collection of mouth-blown Murano glass ceiling lamps crafted using a technique which fuses a white glass band into several layers of crystal, creating the clear band tip at the ends of the fitting. This Lio is surface mounted and suitable for ceiling or wall installation. Available in 3 sizes.



<b>Designer</b>	Vistosi
<b>Supplier</b>	Vistosi
<b>Country</b>	Italy
<b>SKU</b>	VI PL/LIO/30
<b>Size</b>	30cm

Product Dimensions



<b>Weight</b>	2kg	<b>Materials</b>	Blown Glass	<b>Source</b>	1 x E27 100W
<b>IP Rating</b>	IP20	<b>Dimming</b>	Dependent on globe		