

VI A/DIADEMA/P/CR

Diadema Wall Light

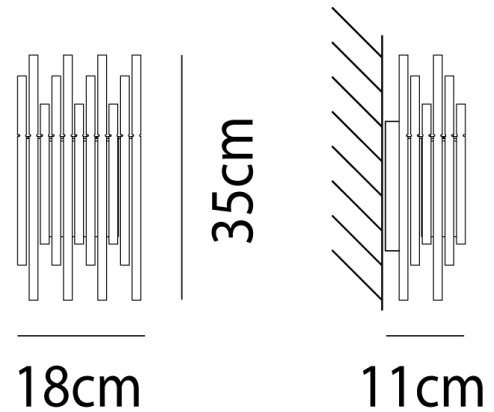
by Romani Sacconi Architetti Associati

The Diadema Wall light is composed of a network of hand crafted Murano glass rods clipped to a central metal base. The pure glass rods diffuse and refract the light, creating an elegant ambience. Crystal finish and available in two sizes. Design by Romani Sacconi Architetti Associati for Vistosi. Made in Italy.



Designer	Romani Sacconi Architetti Associati
Supplier	Vistosi
Country	Italy
SKU	VI A/DIADEMA/P/CR
Size	Small

Product Dimensions



Weight	4.5kg	Materials	Blown Glass	Source	2 x G9 60W
Emission	Diffused	IP Rating	IP20	Dimming	Dependent on globe