

Lady B Pendant Lamp

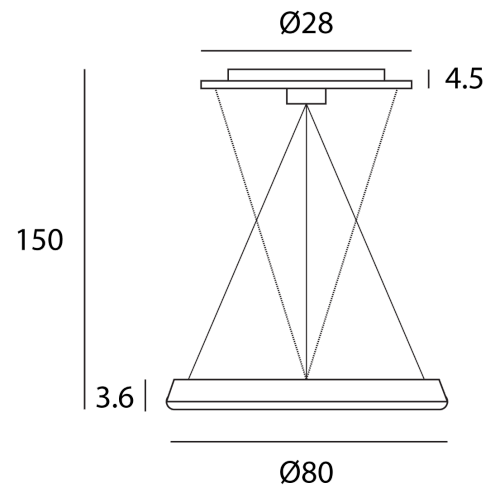
by OIL Design Lab

Lady B is an ultra thin pendant lamp suitable for both domestic and professional installations. Equipped with high efficiency LEDs with 85W, 9000lm total output. 6mm thick diffuser in smoothed material with double satin finish for uniform lighting within a space. Unique contemporary design by O.I.L. Design Lab.



Designer	OIL Design Lab
Supplier	Icone
Country	Italy
SKU	IC S/LADYB/80/BK
Finish	Black

Product Dimensions



Source	85W LED	Colour Temp	3000K	Output	9000lm
CRI	90	Dimming	DALI		