

NE S/ALYA/RC/BK

Alya Pendant Light

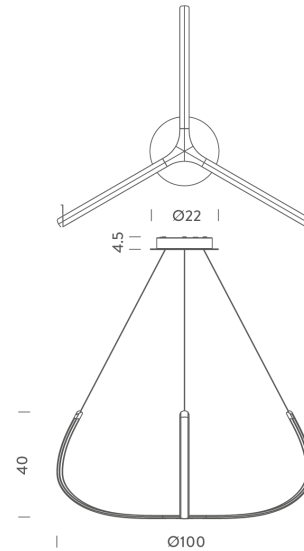
by Gabriele Rosa

Alya is a contemporary pendant lamp with a strong LED source which produces a diffused emission (70% uplight and 30% downlight). Arms in extruded aluminium, central body in die-casted aluminium. Diffuser in opaline methacrylate. Available in matt white or black finish with remote control or standard dimming.



Designer	Gabriele Rosa
Supplier	Nemo
Country	Italy
SKU	NE S/ALYA/RC/BK
Finish	Black
Version	Remote control LED

Product Dimensions



Weight	3kg	Materials	Extruded aluminum arms, die-casted aluminum central structure, opaline methacrylate diffuser	Source	37.5W LED
Colour Temp	3000K	Output	2130lm	CRI	83
Emission	diffused, 70% uplight, 30% downlight	IP Rating	IP20	Dimming	1-10V, remote
Notes	Includes remote control				