

Laito Mini Table Lamp

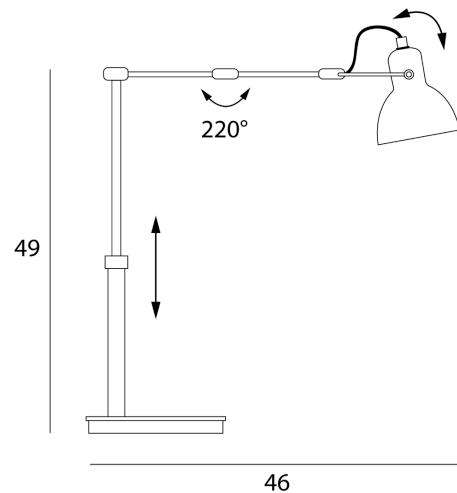
by Seed Design

Laito is inspired by vintage lamp design. With a sturdy aluminium body and opal shade, the Laito boasts an updated classic look without compromising function. The specially designed fishbone structure enhances balance and allows rotation in the lampshade, while the arm provides additional adjustability. Available in black body and base with white shade or brass body and white shade or brass body and white shade.



Supplier	Seed Design
Country	Taiwan
SKU	SE LT/LAITO/MIN/BK
Finish	White & Black

Product Dimensions



Materials	Aluminium	Source	1 x G9 33W	Notes	Adjustable shade, height and arm, in-line switch.
-----------	-----------	--------	------------	-------	---