

Tide Wall Light

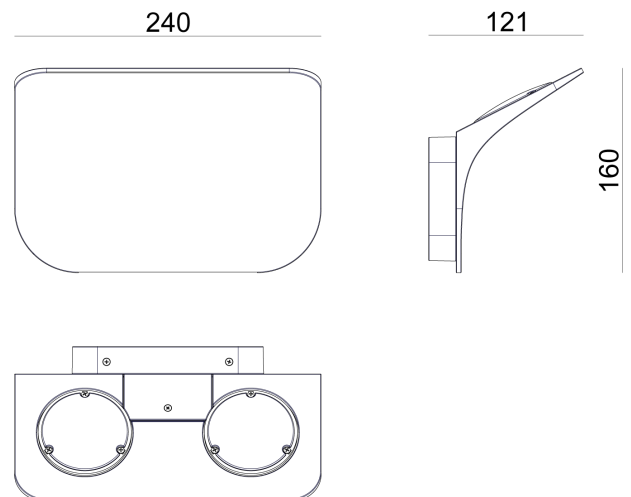
by Paolo Dell'Elce

Tide is an innovative LED wall lamp providing indirect light. The light sources are completely hidden within the sinuous die-cast aluminum body that is perfect to release the heat produced. even though Tide is a small and low consumption lamp, it is able to light up just as well as a traditional halogen lamps.



Designer	Paolo Dell'Elce
Supplier	Rotaliana
Country	Italy
SKU	RO A/TIDE/W0/SIL
Finish	Silver

Product Dimensions



Weight	1.87kg
Colour Temp	2700K
Dimming	No

Materials	Aluminium
Output	2200lm

Source	35W LED
CRI	90