

VI S/DIADEMA/C/CHR/CRY

## Diadema C2 Chandelier

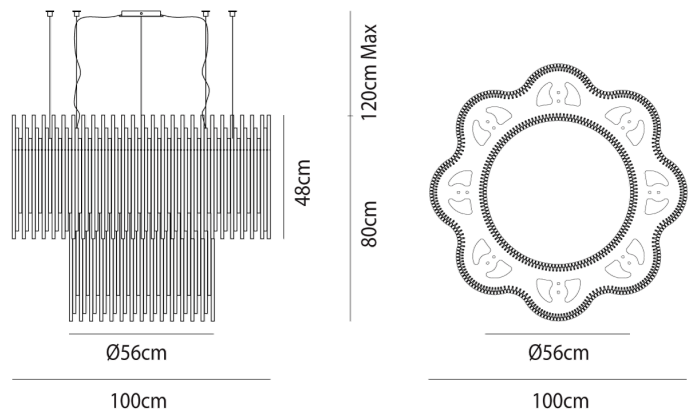
by Romani Saccani Architetti Associati

Diadema is based on the single element of the rod in pure glass. Combining reeds of different sizes, the Diadema C2 Chandelier reflects and transmits a feeling of movement, bringing opulence to a space. The metal frame allows numerous variations and plenty of room for customized versions. Design by Romani Saccani Architetti Associati for Vistosi. Made in Italy.



<b>Designer</b>	Romani Saccani Architetti Associati
<b>Supplier</b>	Vistosi
<b>Country</b>	Italy
<b>SKU</b>	VI S/DIADEMA/C/CHR/CRY
<b>Frame Finish</b>	Chrome

### Product Dimensions



<b>Weight</b>	50kg
<b>Emission</b>	Diffused

<b>Materials</b>	Blown Glass
<b>IP Rating</b>	IP20

<b>Source</b>	8 x E27 70W (Max)
<b>Dimming</b>	Dependent on globe