

VI PL/ECOS/90/CHR/CRY

## Ecos Ceiling Light

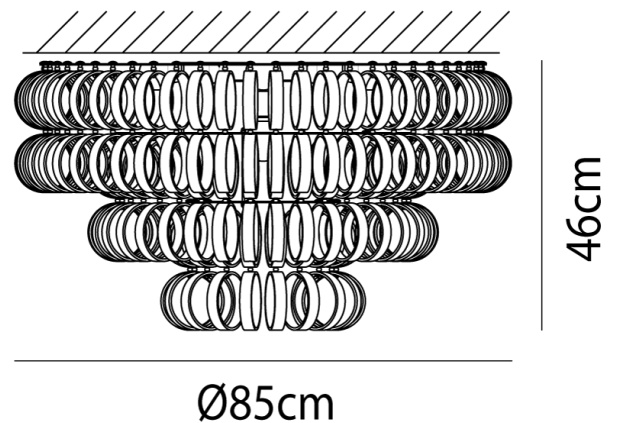
by Renato Toso, Noti Massari E Associatti

Composed of an elegant system of mouth-blown glass rings, the Ecos ceiling light casts beautiful complex patterns on nearby surfaces. Glass rings available in white or crystal finish with additional glass textures and metal options, offering a high level of customization. Available in two sizes. Design by Renato Toso, Noti Massarii & Associates for Vistosi.



<b>Designer</b>	Renato Toso, Noti Massari E Associatti
<b>Supplier</b>	Vistosi
<b>Country</b>	Italy
<b>SKU</b>	VI PL/ECOS/90/CHR/CRY
<b>Size</b>	90

Product Dimensions



<b>Weight</b>	18kg
<b>IP Rating</b>	IP20

<b>Materials</b>	Blown Glass
<b>Dimming</b>	Dependent on globe

<b>Source</b>	5 x E27 77W (Max)
---------------	-------------------