

VI A/ECOS/35/CHR/CR

Ecos Wall Light

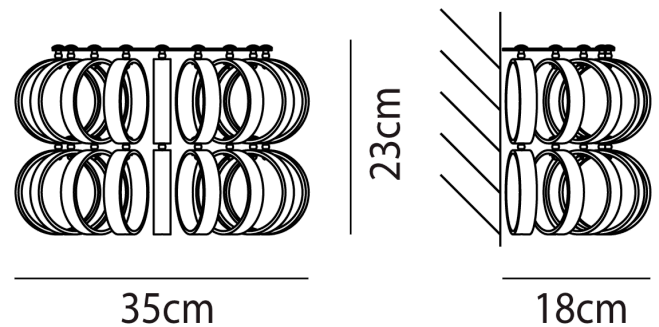
by Renato Toso, Noti Massari E Associatti

Composed of an elegant system of mouth-blown glass rings, the Ecos wall light casts beautiful complex patterns on nearby surfaces. Glass rings available in white or crystal finish with additional glass textures and metal options, offering a high level of customization. Design by Renato Toso, Noti Massari & Associates for Vistosi.



Designer	Renato Toso, Noti Massari E Associatti
Supplier	Vistosi
Country	Italy
SKU	VI A/ECOS/35/CHR/CR
Size	35

Product Dimensions



Weight	2.5kg	Materials	Blown Glass	Source	2 x G9 60W (Max)
IP Rating	IP20	Dimming	Dependent on globe		