

VI A/DAMASCO/G/CR

Damasco Wall Light

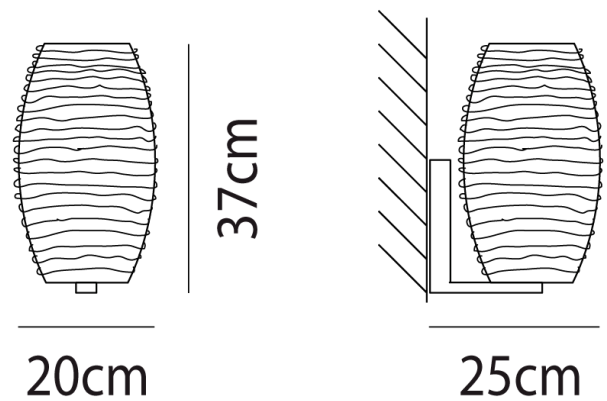
by Paolo Crepax

The Damasco Wall light collection is created with the 'bozzolo' technique, which entails manually applying 'threads' of molded glass on a re-shaped element in mouth-blown crystal. Available in clear crystal or topaz threads in various sizes. Expertly hand crafted in Italy.



Designer	Paolo Crepax
Supplier	Vistosi
Country	Italy
SKU	VI A/DAMASCO/G/CR
Finish	Crystal
Size	Large

Product Dimensions



Weight	4.5kg	Materials	Blown Glass	Source	1 x E27 100W (Max)
IP Rating	IP20	Dimming	Dependent on globe		