

VI A/DAMASCO/2A/TO

Damasco Wall Light

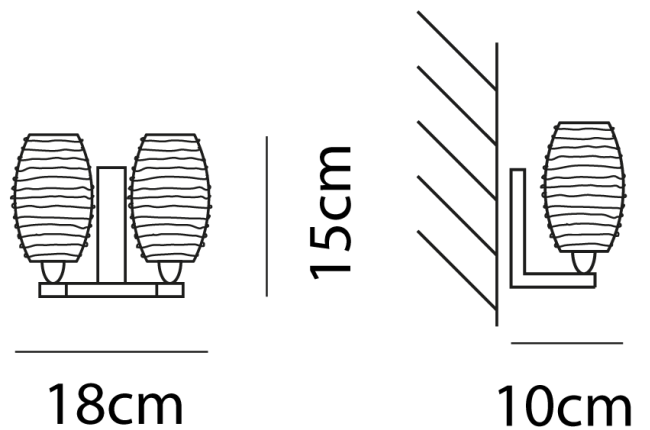
by Paolo Crepax

The Damasco Wall light collection is created with the 'bozzolo' technique, which entails manually applying 'threads' of molded glass on a re-shaped element in mouth-blown crystal. Available in clear crystal or topaz threads in various sizes. Expertly hand crafted in Italy.



Designer	Paolo Crepax
Supplier	Vistosi
Country	Italy
SKU	VI A/DAMASCO/2A/TO
Finish	Topaz
Size	Small Double

Product Dimensions



Weight	1kg
IP Rating	IP20

Materials	Blown Glass
Dimming	Dependent on globe

Source	2 x G9 75W (Max)
---------------	------------------