

## Lio Wall Light

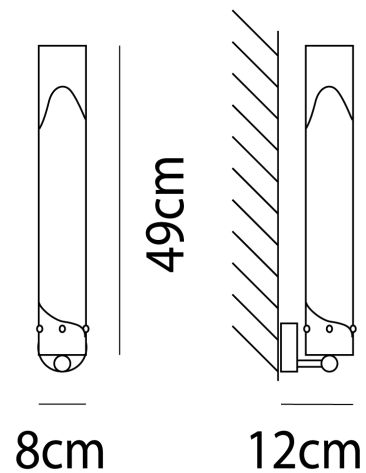
by Vistosi

A collection of mouth-blown Murano glass wall lamps crafted using a technique which fuses a white glass band into several layers of crystal, creating the clear band tip at the ends of the fitting. Available in three sizes.



<b>Designer</b>	Vistosi
<b>Supplier</b>	Vistosi
<b>Country</b>	Italy
<b>SKU</b>	VI A/LIO/48
<b>Size</b>	Large Single

### Product Dimensions



<b>Weight</b>	2kg
<b>IP Rating</b>	IP20

<b>Materials</b>	Blown Glass
<b>Dimming</b>	Dependent on globe

<b>Source</b>	1 x E27 100W
---------------	--------------