

VI PL/LIO/30

Lio Ceiling Light

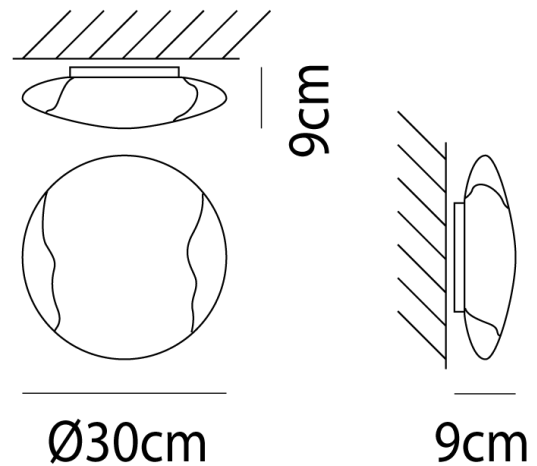
by Vistosi

A collection of mouth-blown Murano glass ceiling lamps crafted using a technique which fuses a white glass band into several layers of crystal, creating the clear band tip at the ends of the fitting. This Lio is surface mounted and suitable for ceiling or wall installation. Available in 3 sizes.



Designer	Vistosi
Supplier	Vistosi
Country	Italy
SKU	VI PL/LIO/30
Size	30cm

Product Dimensions



Weight	2kg	Materials	Blown Glass	Source	1 x E27 100W
IP Rating	IP20	Dimming	Dependent on globe		