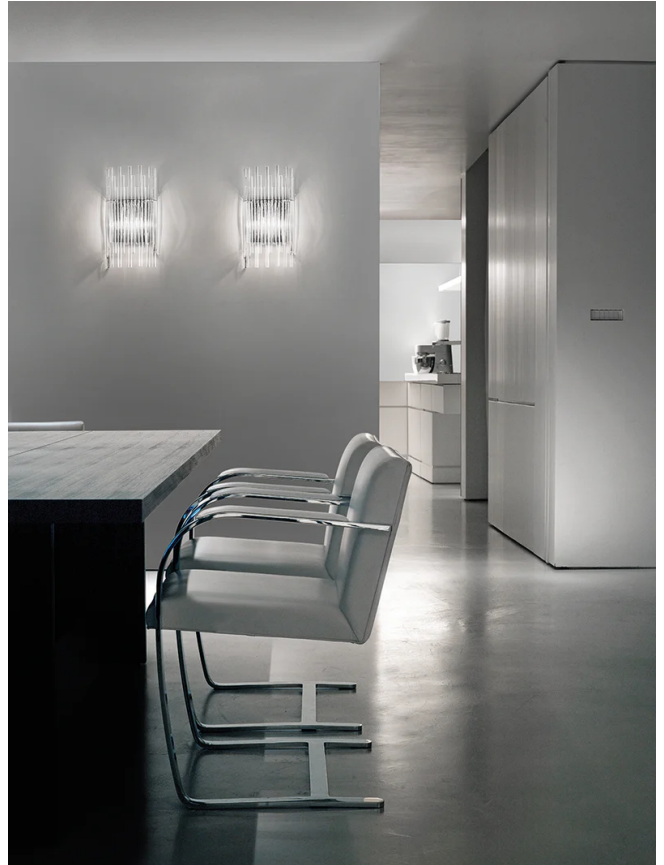


VI A/DIADEMA/P/CR

Diadema Wall Light

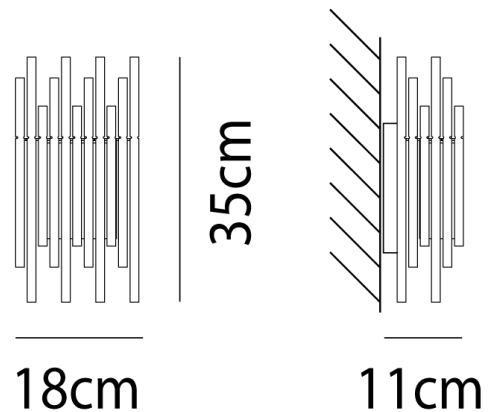
by Romani Saccani Architetti Associati

The Diadema Wall light is composed of a network of hand crafted Murano glass rods clipped to a central metal base. The pure glass rods diffuse and refract the light, creating an elegant ambience. Crystal finish and available in two sizes. Design by Romani Saccani Architetti Associati for Vistosi. Made in Italy.



| | |
|-----------------|-------------------------------------|
| Designer | Romani Saccani Architetti Associati |
| Supplier | Vistosi |
| Country | Italy |
| SKU | VI A/DIADEMA/P/CR |
| Size | Small |

Product Dimensions



| | |
|-----------------|----------|
| Weight | 4.5kg |
| Emission | Diffused |

| | |
|------------------|-------------|
| Materials | Blown Glass |
| IP Rating | IP20 |

| | |
|----------------|--------------------|
| Source | 2 x G9 60W |
| Dimming | Dependent on globe |