

SE A/T1/W1/44/COP

T1 Single Bathroom Wall Light

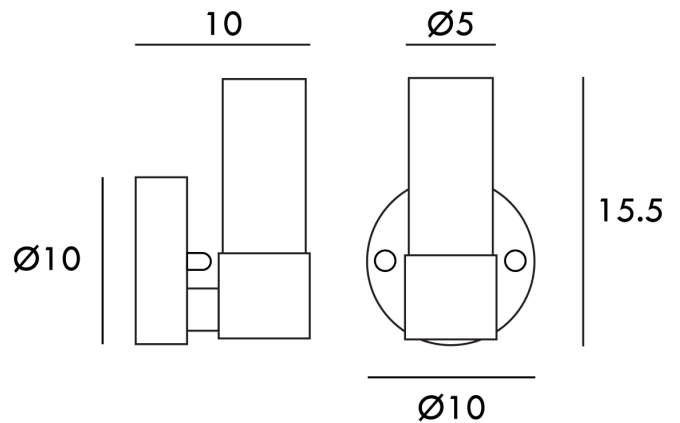
by Ting Ting Chang

Inspired by classic tube lamps, the T1 Single Bathroom Wall Light is embedded with a CRI 90 LED light source. Protection level is up to IP44 which can be used in zone 2 of bathrooms. Both decorative and functional, the T1 bathroom fixture is ideal for contemporary spaces. Available in a variety of colours and finishes.



Designer	Ting Ting Chang
Supplier	Seed Design
Country	Taiwan
SKU	SE A/T1/W1/44/COP
Finish	Copper

Product Dimensions



Materials	Aluminium	Source	5W LED	Colour Temp	3000K
Output	451lm	CRI	90	IP Rating	IP44
Dimming	No				