

## Lady B Pendant Lamp

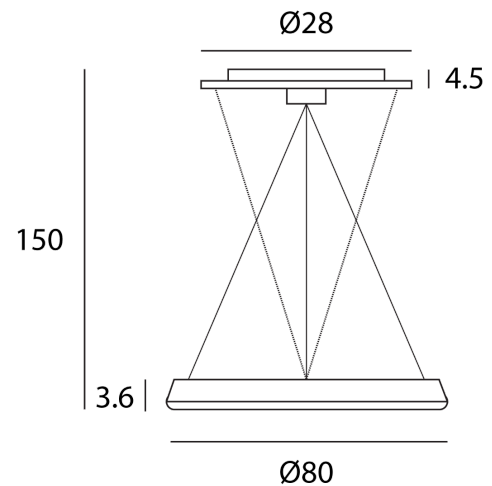
by OIL Design Lab

Lady B is an ultra thin pendant lamp suitable for both domestic and professional installations. Equipped with high efficiency LEDs with 85W, 9000lm total output. 6mm thick diffuser in smoothed material with double satin finish for uniform lighting within a space. Unique contemporary design by O.I.L. Design Lab.



<b>Designer</b>	OIL Design Lab
<b>Supplier</b>	Icone
<b>Country</b>	Italy
<b>SKU</b>	IC S/LADYB/80/BK
<b>Finish</b>	Black

### Product Dimensions



<b>Source</b>	85W LED	<b>Colour Temp</b>	3000K	<b>Output</b>	9000lm
<b>CRI</b>	90	<b>Dimming</b>	DALI		