

AX A/POLIA/LED/P/BR

Polia Wall Light

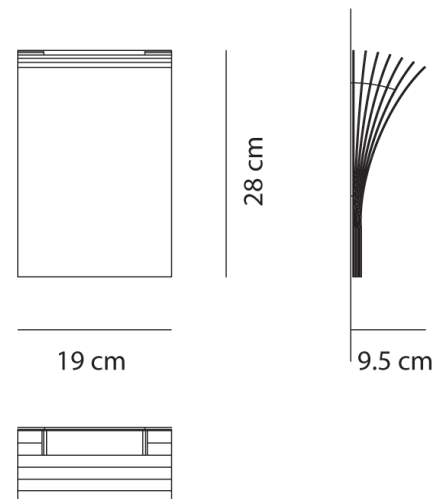
by Manuel & Vanessa Vivian

Collection of contemporary wall lamps designed by Manuel Vivian for Axolight. Rolled steel body painted in textured white, basalt grey, or rust brown finish. Available in two sizes with built-in dimmable LED light source. Manufactured in Italy.



Designer	Manuel & Vanessa Vivian
Supplier	Axo Light
Country	Italy
SKU	AX A/POLIA/LED/P/BR
Finish	Rust Brown
Size	Small

Product Dimensions



Weight	2.2kg
Colour Temp	3000K
IP Rating	IP20

Materials	Steel
Output	957lm
Dimming	PHASE

Source	16W LED
CRI	90