

VI LT/NAXOS/33

Naxos Table Lamp

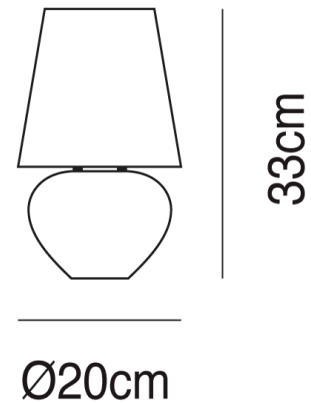
by Vistosi

The Naxos is a collection of mouth-blown Murano glass Table Lamps with a subtle angled cone design. Both the shade and base illuminate creating a stunning lighting effect while the white satin-finish glass producing a soft diffused light. Available in four different sizes.



Designer	Vistosi
Supplier	Vistosi
Country	Italy
SKU	VI LT/NAXOS/33
Size	Small

Product Dimensions



Weight	1.5kg
IP Rating	IP20

Materials	Blown Glass
------------------	-------------

Source	1 \AA — E14 60W (Max) + 1 \AA — E14 40W (Max)
---------------	---