

NE S/ALYA/RC/BK

## Alya Pendant Light

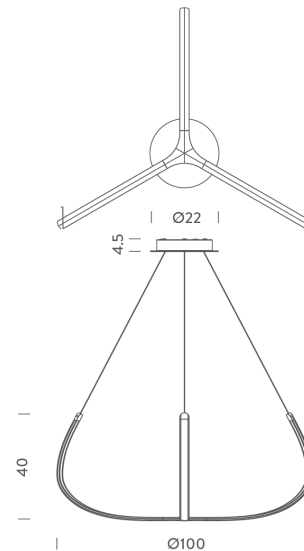
by Gabriele Rosa

Alya is a contemporary pendant lamp with a strong LED source which produces a diffused emission (70% uplight and 30% downlight). Arms in extruded aluminium, central body in die-casted aluminium. Diffuser in opaline methacrylate. Available in matt white or black finish with remote control or standard dimming.



<b>Designer</b>	Gabriele Rosa
<b>Supplier</b>	Nemo
<b>Country</b>	Italy
<b>SKU</b>	NE S/ALYA/RC/BK
<b>Finish</b>	Black
<b>Version</b>	Remote control LED

Product Dimensions



<b>Weight</b>	3kg	<b>Materials</b>	Extruded aluminum arms, die-casted aluminum central structure, opaline methacrylate diffuser	<b>Source</b>	37.5W LED
<b>Colour Temp</b>	3000K	<b>Output</b>	2130lm	<b>CRI</b>	83
<b>Emission</b>	diffused, 70% uplight, 30% downlight	<b>IP Rating</b>	IP20	<b>Dimming</b>	1-10V, remote