

VI PL/NOVECENTO/CR

Novecento Ceiling Light

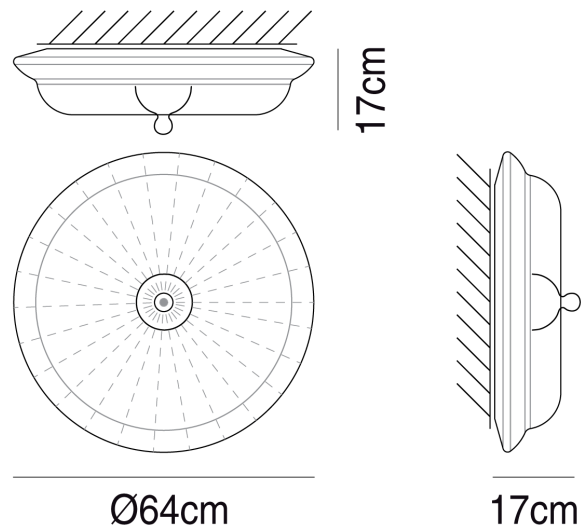
by Romani Saccani Architetti Associati

A member of the Novecento family of Murano glass fittings from Vistosi. Mouth-blown glass is hand-shaped to a design inspired by the traditional Murano chandelier. Suited to both classic and contemporary aesthetics in residential or commercial settings. Available in crystal or white finish.



| | |
|-----------------|-------------------------------------|
| Designer | Romani Saccani Architetti Associati |
| Supplier | Vistosi |
| Country | Italy |
| SKU | VI PL/NOVECENTO/CR |
| Finish | Crystal |

Product Dimensions



| | |
|------------------|------|
| Weight | 9kg |
| IP Rating | IP20 |

| | |
|------------------|--------------------|
| Materials | Blown Glass |
| Dimming | Dependent on globe |

| | |
|---------------|------------------------------|
| Source | 5 x E14 60W (Max) |
| Notes | Hand made, mouth-blown glass |