

VI PL/IMPLODE/50

## Implode Ceiling Light

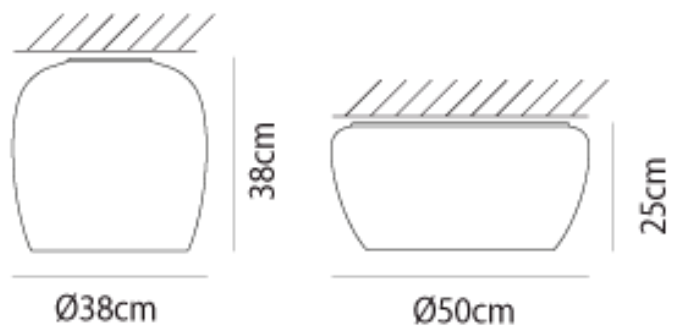
by Gregorio Spini

A collection which represents the illusion of a surface created by the implosion of a volume. Implode is made up of a gradation of multiple layers of white and transparent hand blown Italian Murano glass. Ceiling light available in two sizes. Design by Gregorio Spini for Vistosi.



<b>Designer</b>	Gregorio Spini
<b>Supplier</b>	Vistosi
<b>Country</b>	Italy
<b>SKU</b>	VI PL/IMPLODE/50
<b>Size</b>	50cm

Product Dimensions



<b>Weight</b>	12kg
<b>IP Rating</b>	IP20

<b>Materials</b>	Blown Glass
<b>Dimming</b>	Dependent on globe

<b>Source</b>	3 x E27 100W (Max)
---------------	--------------------