

SI A/TILO/6W/ANT

Tilo Outdoor Wall Light

by

Tilo outdoor wall light in anti-corrosive anthracite finish. 6w LED, 3000k, 330lm, CRI 80, dimmable. Tilo has an ingress protection of IP65 and an impact protection of IK07 for outdoor applications. The fixture's minimalist design allows for installations within most styles.



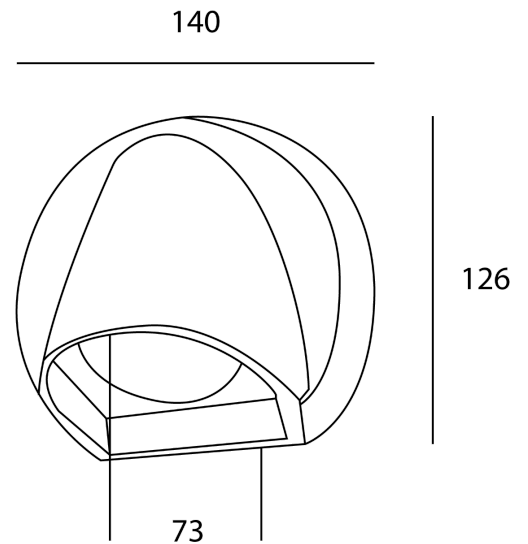
Supplier Studio Italia

Country China

SKU SI A/TILO/6W/ANT

Finish Anthracite

Product Dimensions



Materials Aluminium

Source 6W LED

Colour Temp 3000K

Output 330lm

CRI 80

IP Rating IP65 / IK07

Dimming PHASE