

SI TK/BARRO/2/BK

Barro Double Track Spotlight

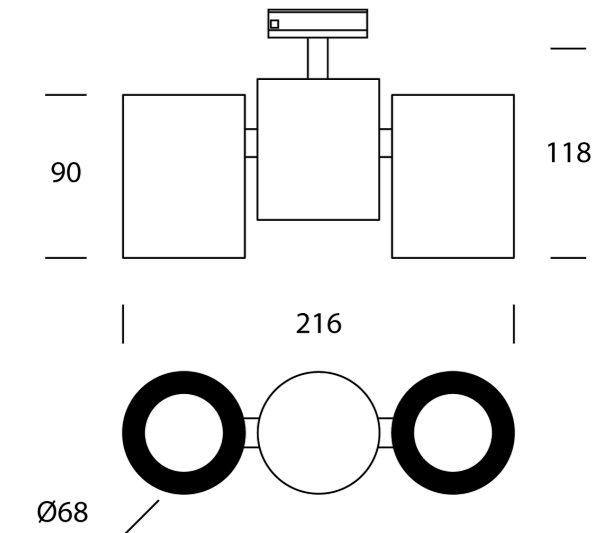
by

The French designed Barro Double is a track spotlight two adjustable luminaires. A clean yet soft design ideal for a contemporary spaces. Compatible with single circuit track. Takes 2 x GU10 35W (Max) LED or halogen globes. Available in black finish.



Supplier	Studio Italia
Country	China
SKU	SI TK/BARRO/2/BK
Finish	Black

Product Dimensions



Materials	Aluminium	Source	2 x GU10 35W (Max)	Dimming	Dependent on globe
------------------	-----------	---------------	--------------------	----------------	--------------------