

NE S/KEPLER/DOWN/3000K/WHITE

Kepler Pendant

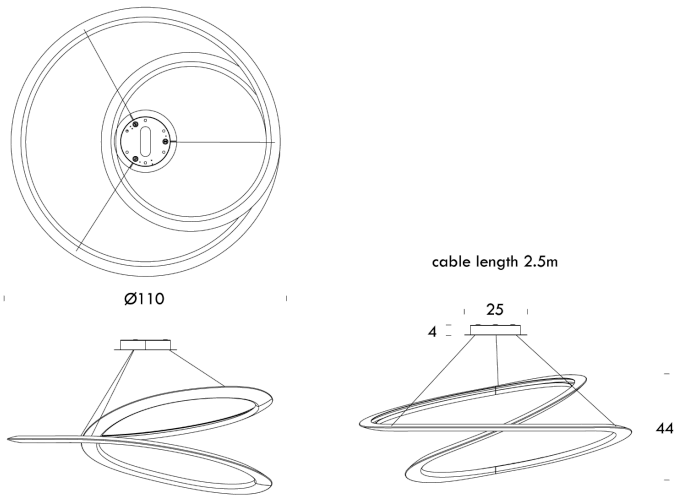
by Arihiro Miyake

Designed by Arihiro Miyake for NEMO, the Kepler LED pendant light is defined by harmonious lines and smooth geometric curves. The endless line is created by a 3-dimensional deformation process inspired by the Moebius strip, producing a widespread ambient light. Available in matt black, white, or painted gold finish as uplight or downlight in 2700K or 3000K.



Designer	Arihiro Miyake
Supplier	Nemo
Country	Italy
SKU	NE S/KEPLER/DOWN/3000K/WHITE
Finish	White
Version	Downlight - 3000K

Product Dimensions



Weight	9kg	Materials	Aluminium	Source	86W LED
Colour Temp	3000K	Output	4500lm	CRI	85
Emission	diffused downlight	IP Rating	IP20	Dimming	1-10v