

NE S/KEPLER/UP/2700K/WHITE

## Kepler Pendant

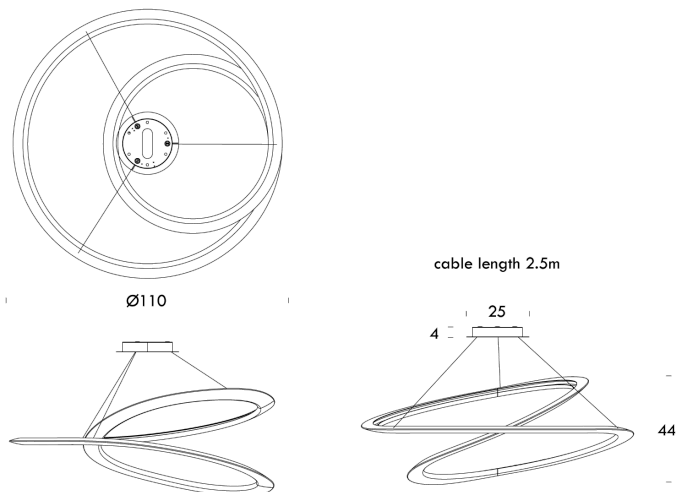
by Arihiro Miyake

Designed by Arihiro Miyake for NEMO, the Kepler LED pendant light is defined by harmonious lines and smooth geometric curves. The endless line is created by a 3-dimensional deformation process inspired by the Moebius strip, producing a widespread ambient light. Available in matt black, white, or painted gold finish as uplight or downlight in 2700K or 3000K.



<b>Designer</b>	Arihiro Miyake
<b>Supplier</b>	Nemo
<b>Country</b>	Italy
<b>SKU</b>	NE S/KEPLER/UP/2700K/WHITE
<b>Finish</b>	White
<b>Version</b>	Uplight - 2700K

### Product Dimensions



<b>Weight</b>	9kg	<b>Materials</b>	Aluminium	<b>Source</b>	86W LED
<b>Colour Temp</b>	2700K	<b>Output</b>	4500lm	<b>CRI</b>	85
<b>Emission</b>	diffused uplight	<b>IP Rating</b>	IP20	<b>Dimming</b>	1-10v