

NE S/NUVOLA/LED

## Nuvola Pendant

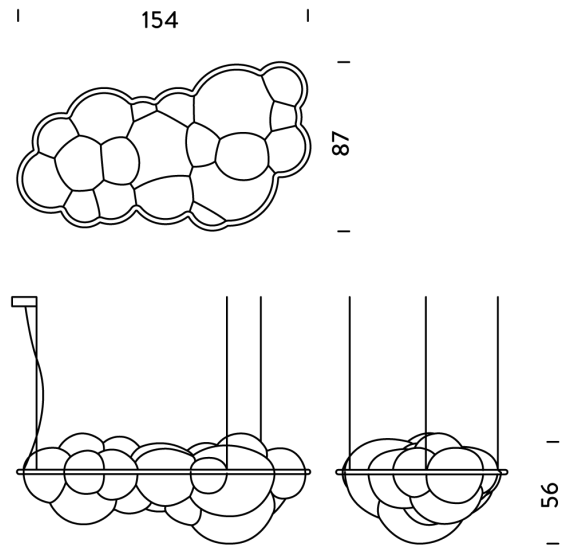
by Mario Bellini

Nuvola pendant by Mario Bellini. Inspired by the shape of a cloud and made of natural opal polyethylene and created via a rotational printing process. Nuvola provides diffused lighting for a widespread and comfortable output. The pendant is fastened to the ceiling with three suspension cables, the canopy freely adjustable on the ceiling. Nuvola is composed by one of the two blocs (deep or flat, to choose).



<b>Designer</b>	Mario Bellini
<b>Supplier</b>	Nemo
<b>Country</b>	Italy
<b>SKU</b>	NE S/NUVOLA/LED
<b>Finish</b>	White

Product Dimensions



<b>Weight</b>	11kg
<b>Colour Temp</b>	2700K
<b>Emission</b>	diffused

<b>Materials</b>	Plastic
<b>Output</b>	12000lm
<b>IP Rating</b>	IP20

<b>Source</b>	132W LED
<b>CRI</b>	85
<b>Dimming</b>	1-10v