

NE S/PROJECTEUR/165/WS

## Projecteur 165 Pendant

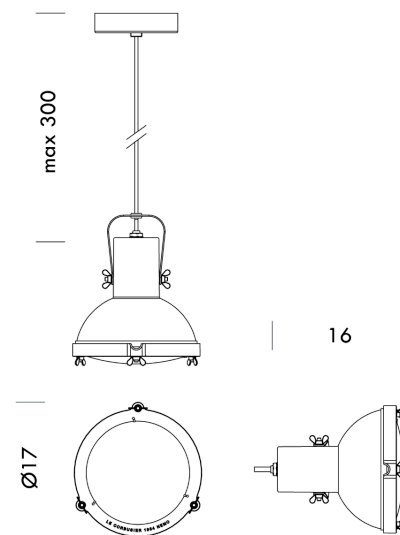
by Le Corbusier

Projecteur 165 is a mini adjustable version of the Projecteur 365, with aluminium body painted in night blue or white sand. Diffuser glass curved and sandblasted in the inner part. Canopy painted in matt black, screws and small metal parts black chromed. Diffused and adjustable light output. Classic design by Le Corbusier and made in Italy.



<b>Designer</b>	Le Corbusier
<b>Supplier</b>	Nemo
<b>Country</b>	Italy
<b>SKU</b>	NE S/PROJECTEUR/165/WS
<b>Finish</b>	White Sand

### Product Dimensions



<b>Weight</b>	0.8kg	<b>Materials</b>	Aluminium	<b>Source</b>	1 x E27 23W
<b>Emission</b>	direct, spot	<b>IP Rating</b>	IP20	<b>Dimming</b>	Dependent on globe