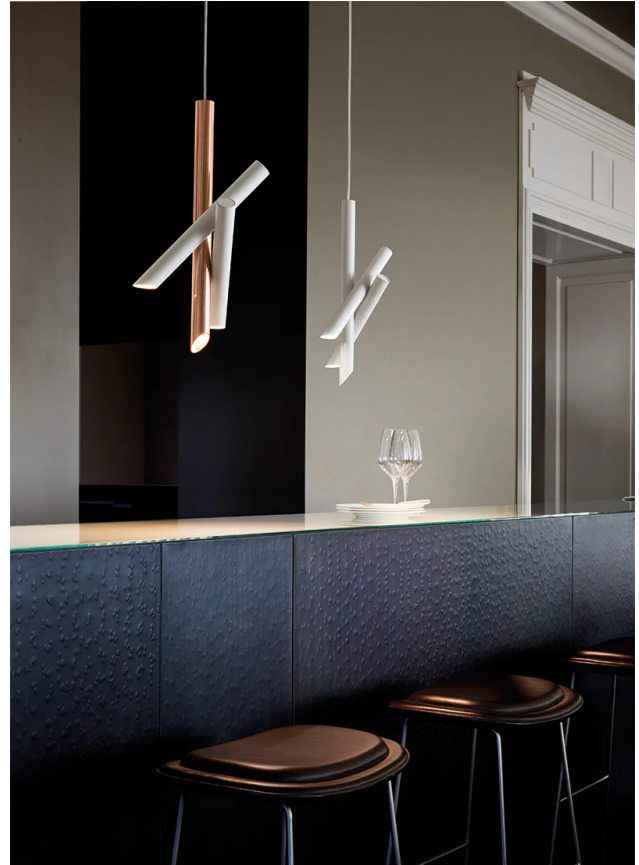


NE S/TUBES/3/WH/COP

Tubes 3 Pendant

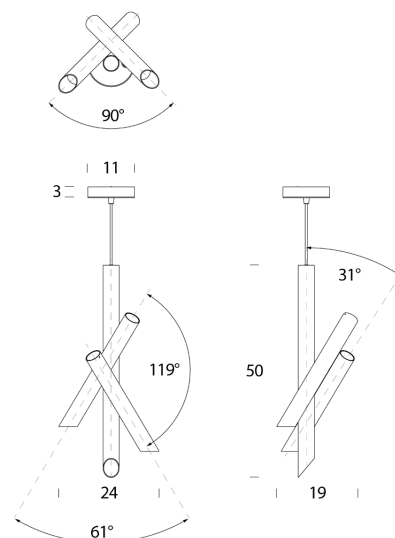
by Charles Kalpakian

Simple and elegant, this aluminium pendant lamp provides a warm diffused illumination via three LEDs. Two adjustable tubes fix to the central tube, creating a floating effect. Diffusers in opal polycarbonate. Dimmable.



Designer	Charles Kalpakian
Supplier	Nemo
Country	Italy
SKU	NE S/TUBES/3/WH/COP
Finish	White + Copper

Product Dimensions



Materials	Aluminium	Source	3 x 4.2W LED	Colour Temp	2700K
Output	561lm	CRI	80	Emission	down diffused
IP Rating	IP20	Dimming	TRIAC		