

NE A/TUBES/LRG/2700K/TRIAC/WHITE

## Tubes Large Wall Light

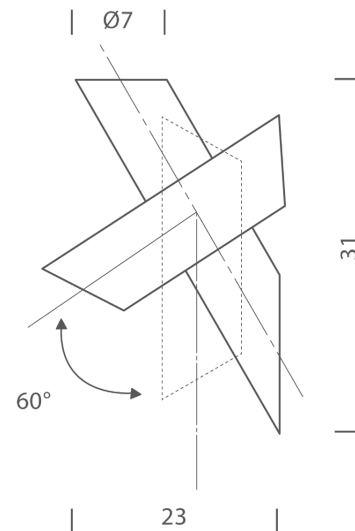
by Charles Kalpakian

Designed by Charles Kalpakian, the TUBES LARGE wall lamp features an innovative contemporary design. Wall luminaire composed of two cylindrical elements in extruded aluminum, equipped with an opal polycarbonate lens for a diffused uniform light. The wall mounted element is fixed while floating element is adjust-able by 60 degrees.



<b>Designer</b>	Charles Kalpakian
<b>Supplier</b>	Nemo
<b>Country</b>	Italy
<b>SKU</b>	NE A/TUBES/LRG/2700K/TRIAC/WHITE
<b>Finish</b>	White

Product Dimensions



<b>Weight</b>	1kg
<b>Colour Temp</b>	2700K
<b>Emission</b>	diffused

<b>Materials</b>	Aluminium
<b>Output</b>	2 x 640lm
<b>IP Rating</b>	IP20

<b>Source</b>	2 x 13W LED
<b>CRI</b>	80
<b>Dimming</b>	TRIAC