

NE PL/TUBES/LRG/2700K/TRIAC/WHITE/GOLD

Tubes Large Ceiling Light

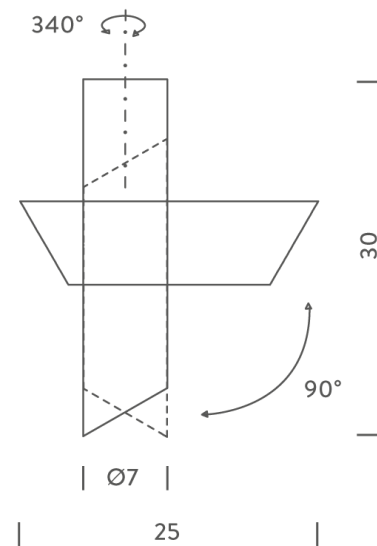
by Charles Kalpakian

Designed by Charles Kalpakian, the TUBES LARGE ceiling lamp features an innovative contemporary design. Ceiling luminaire composed of two cylindrical elements in extruded aluminum, equipped with an opal polycarbonate lens for a diffused uniform light. Ceiling element rotates 340 degrees, while the other cylinder can be rotated by 90 degrees.



Designer	Charles Kalpakian
Supplier	Nemo
Country	Italy
SKU	NE PL/TUBES/LRG/2700K/TRIAC/WHITE/GOLD
Finish	White + Gold

Product Dimensions



Weight	0.8kg	Materials	Aluminium	Source	2 x 13W LED
Colour Temp	2700K	Output	2 x 640lm	CRI	80
Emission	diffused	IP Rating	IP20	Dimming	TRIAC